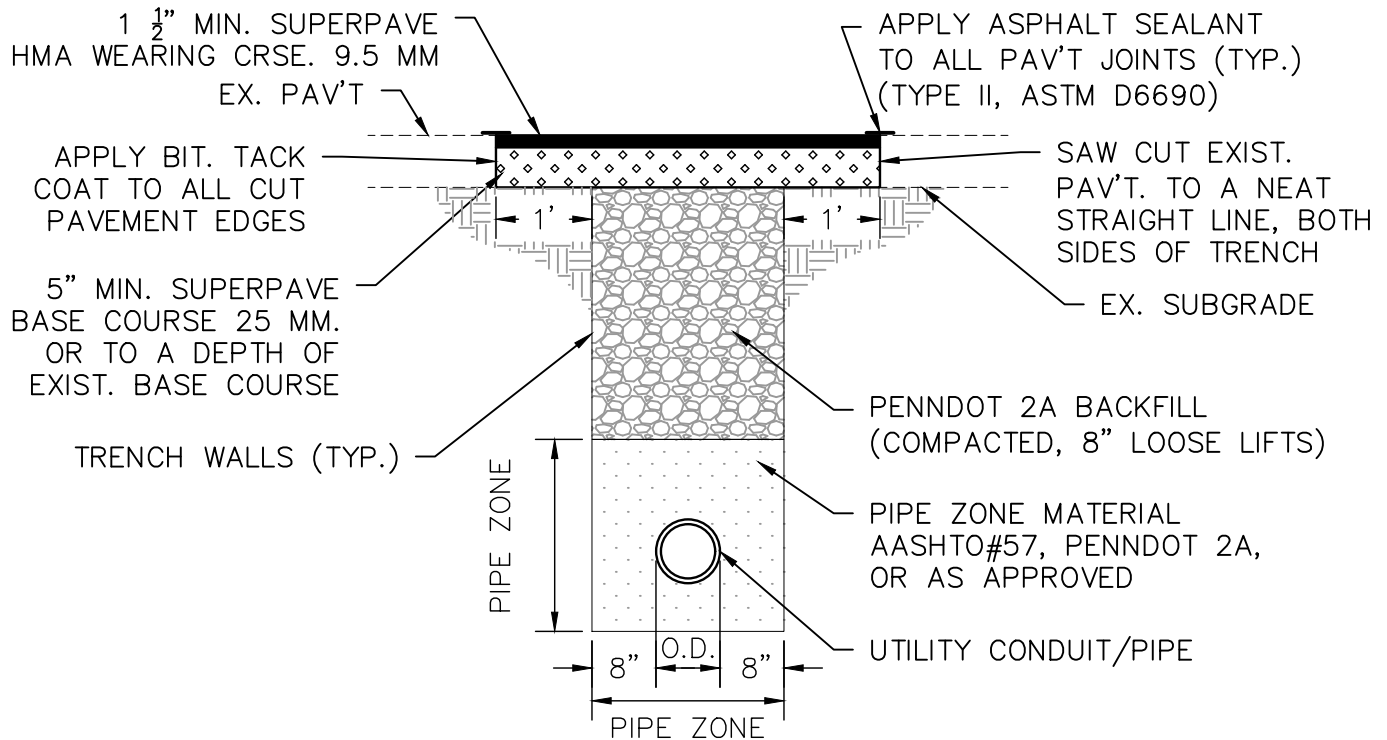


TYPICAL RESTORATION
N.T.S.

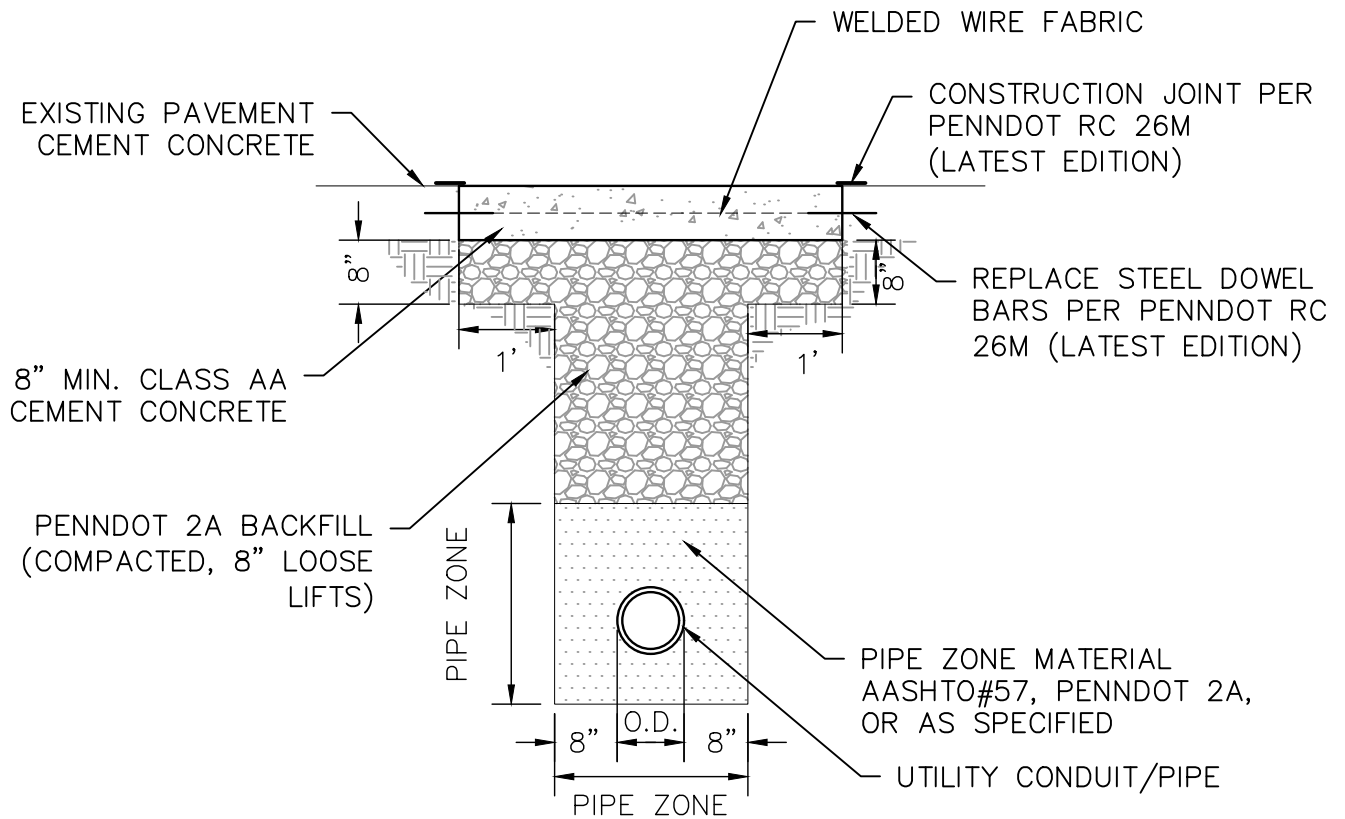


TYPICAL TRENCH EXCAVATION
N.T.S.

GENERAL NOTES:

1. ALL MATERIAL AND WORK TO BE IN ACCORDANCE WITH PENNDOT PUBLICATION 408, LATEST ED.

RESTORATION STANDARD		
MUNICIPAL ROADWAY		
BITUMINOUS PAVEMENT FLEXIBLE BASE – FULL DEPTH		
LIGONIER BOROUGH WESTMORELAND COUNTY, PA	REV.: 0 DATE: JAN. 2019	STD. No. 1

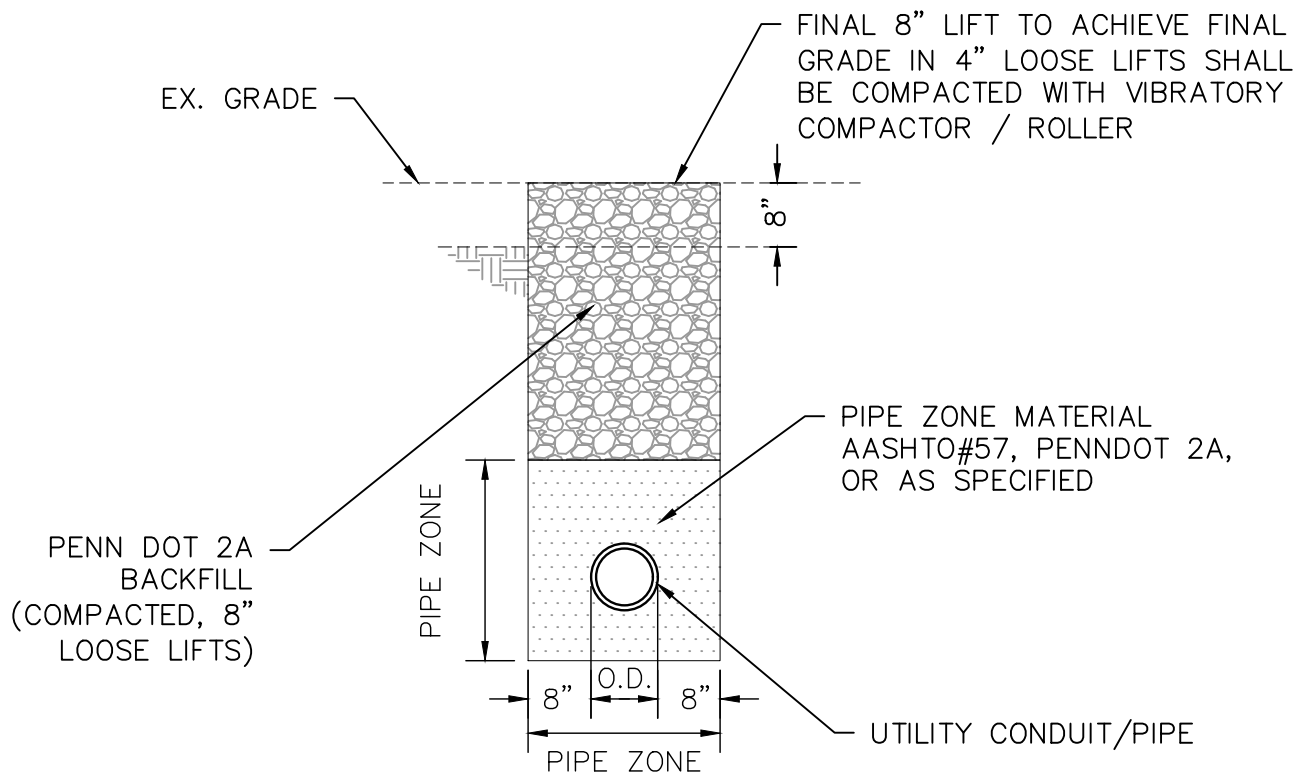


SECTION (PIPE TRENCH)
TYPICAL TRENCH EXCAVATION
 N.T.S.

GENERAL NOTES:

1. ALL MATERIAL AND WORK TO BE IN ACCORDANCE WITH PENNDOT PUBLICATION 408, LATEST ED.

RESTORATION STANDARD		
MUNICIPAL ROADWAY		
CONCRETE PAVEMENT FULL DEPTH		
LIGONIER BOROUGH WESTMORELAND COUNTY, PA	REV.: 0 DATE: JAN. 2019	STD. No. 3

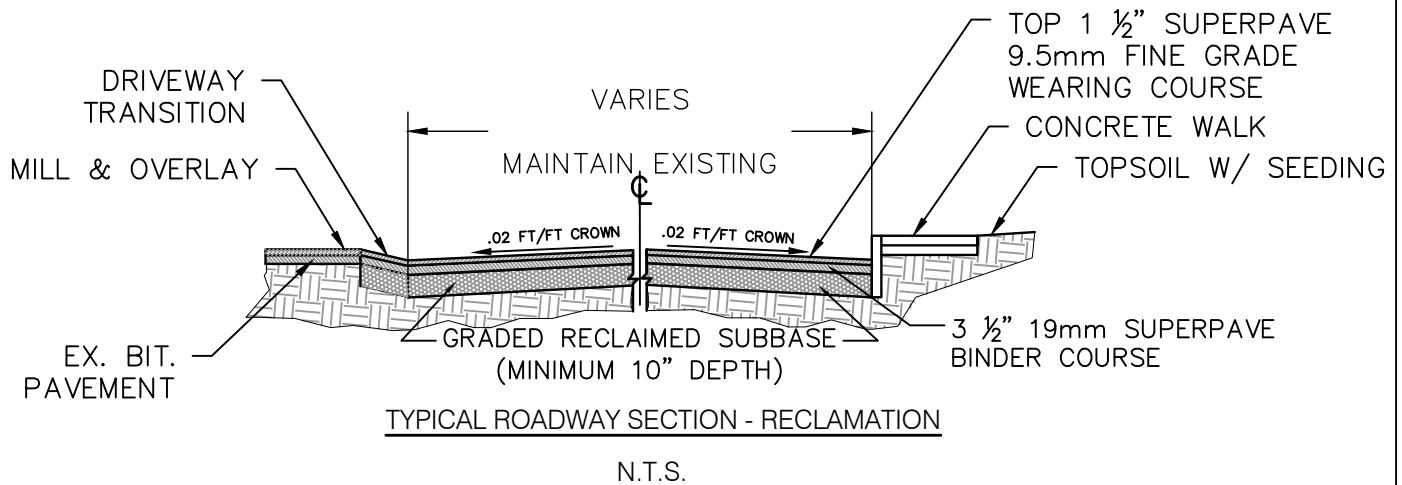
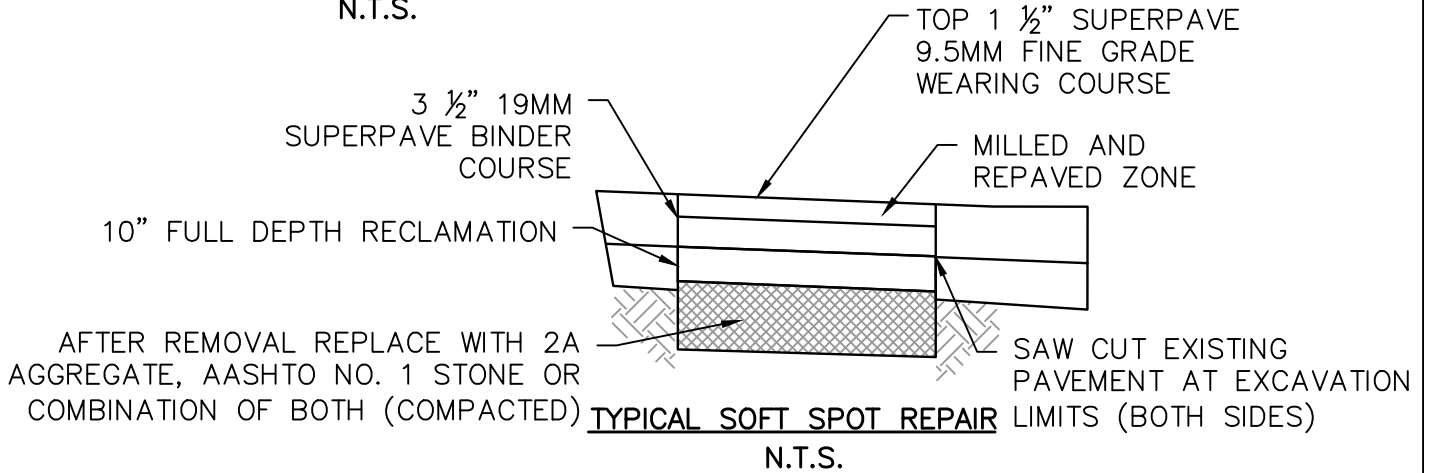
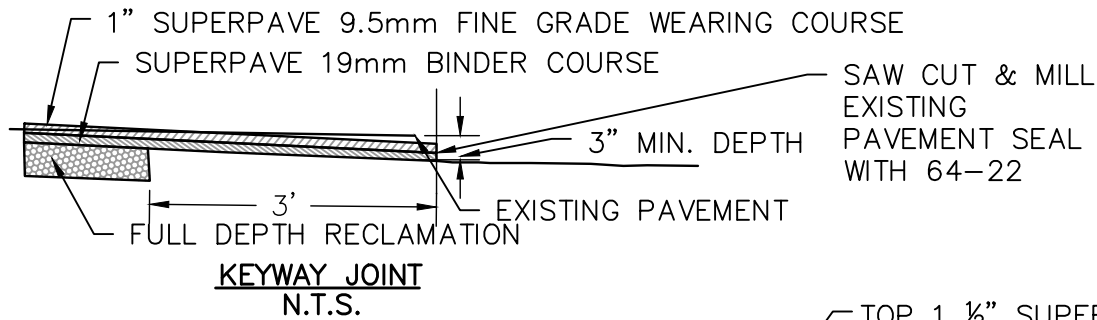


SECTION VIEW
TYPICAL TRENCH EXCAVATION
 N.T.S.

GENERAL NOTES:

1. ALL MATERIAL AND WORK TO BE IN ACCORDANCE WITH PENNDOT PUBLICATION 408, LATEST ED.
2. PROVIDE 8" STABILIZED AGGREGATE SURFACE FOR ALL SURFACE DISTURBANCE OR IMPROVEMENT NOT CAUSED BY TRENCH EXCAVATION.

RESTORATION STANDARD		
MUNICIPAL ROADWAY		
STABILIZED AGGREGATE FULL DEPTH		
LIGONIER BOROUGH WESTMORELAND COUNTY, PA	REV.: 0 DATE: JAN. 2019	STD. No. 4

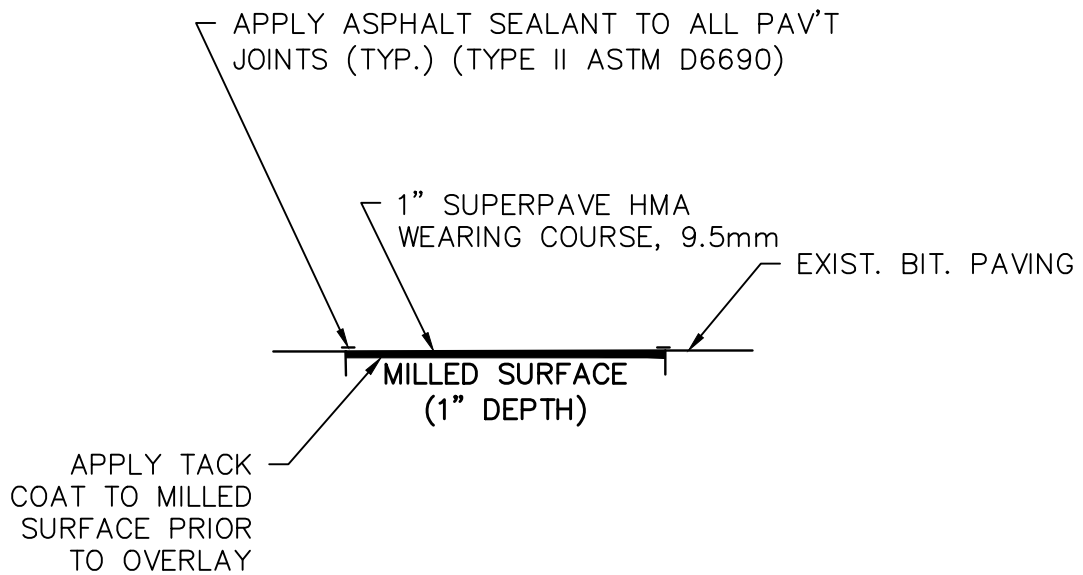


FULL DEPTH RECLAMATION

GENERAL NOTES:

1. AT ALL TRANSITIONS TO DRIVEWAYS AND ROADWAYS, RAMPS SHALL BE CREATED WITH NON ADDITIVE MIXED RECLAMATION.
2. THE CONTRACTOR IS TO CUT A MINIMUM DEPTH OF 15" AND EXCAVATE OUT 5". AFTER EXCAVATION IS COMPLETE THE CEMENT ADDITIVE SHALL BE MIXED TO A MINIMUM DEPTH OF 10".

RESTORATION STANDARD		
MUNICIPAL ROADWAY		
BITUMINOUS PAVEMENT – FULL DEPTH RECLAMATION		
LIGONIER BOROUGH WESTMORELAND COUNTY, PA	REV.: 0 DATE: JAN. 2019	STD. No. 5



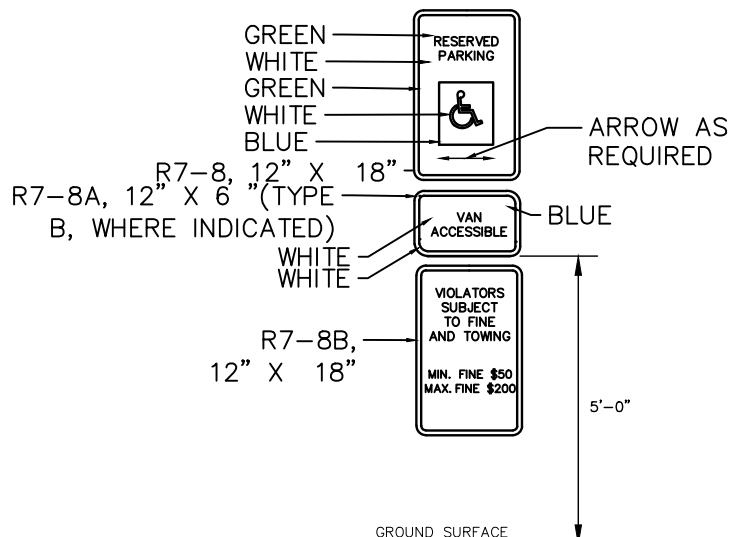
MUNICIPAL ROADWAY MILL AND OVERLAY DETAIL

N.T.S.

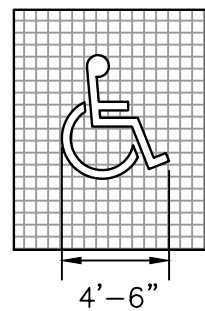
GENERAL NOTES:

1. ALL MATERIAL AND WORK TO BE IN ACCORDANCE WITH PENNDOT PUBLICATION 408, LATEST ED.

RESTORATION STANDARD		
MUNICIPAL ROADWAY		
MUNICIPAL ROADWAY MILL AND OVERLAY DETAIL		
LIGONIER BOROUGH WESTMORELAND COUNTY, PA	REV.: 0 DATE: JAN. 2019	STD. No. 6

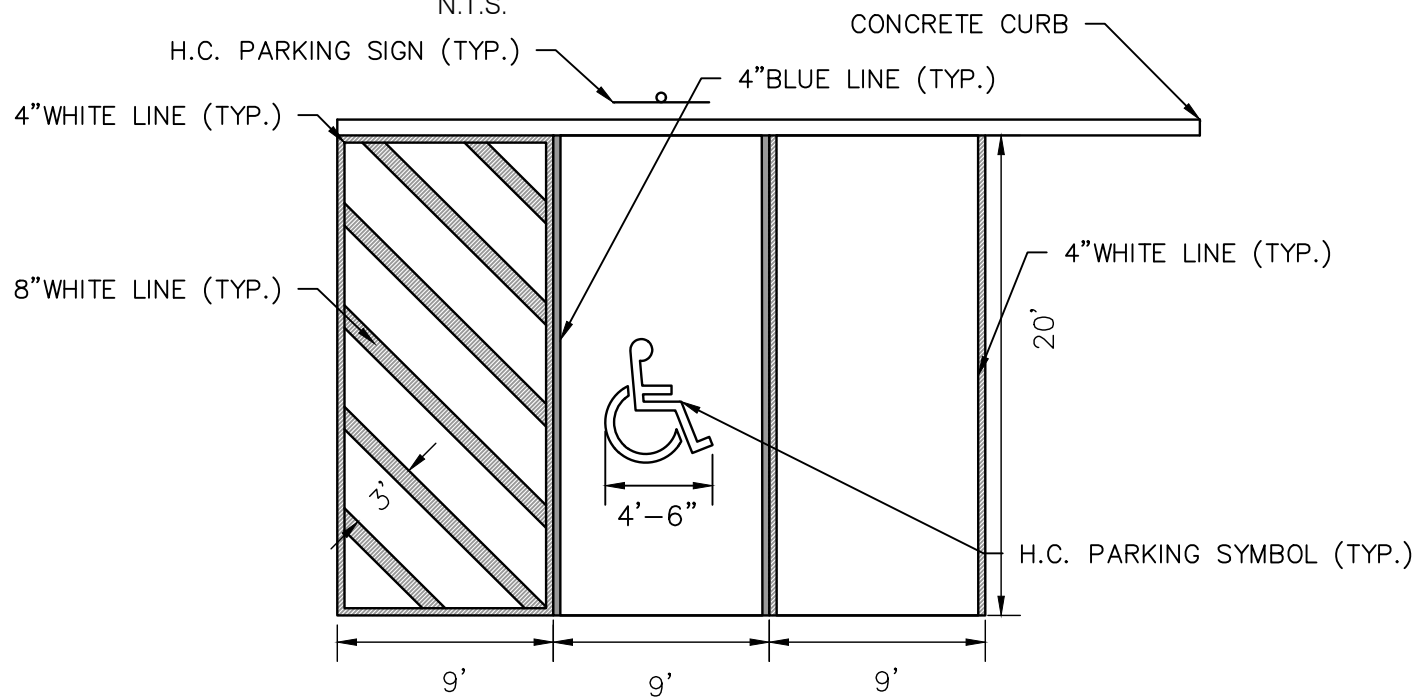


HANDICAP PARKING SIGNS – TYPICAL
N.T.S.



- NOTES:
1. PAINT STRIPING TO BE 4" WIDE. (COLOR – WHITE)
 2. SYMBOL TO BE CENTERED IN PARKING SPACE

HANDICAP PAINTING DETAIL
N.T.S.

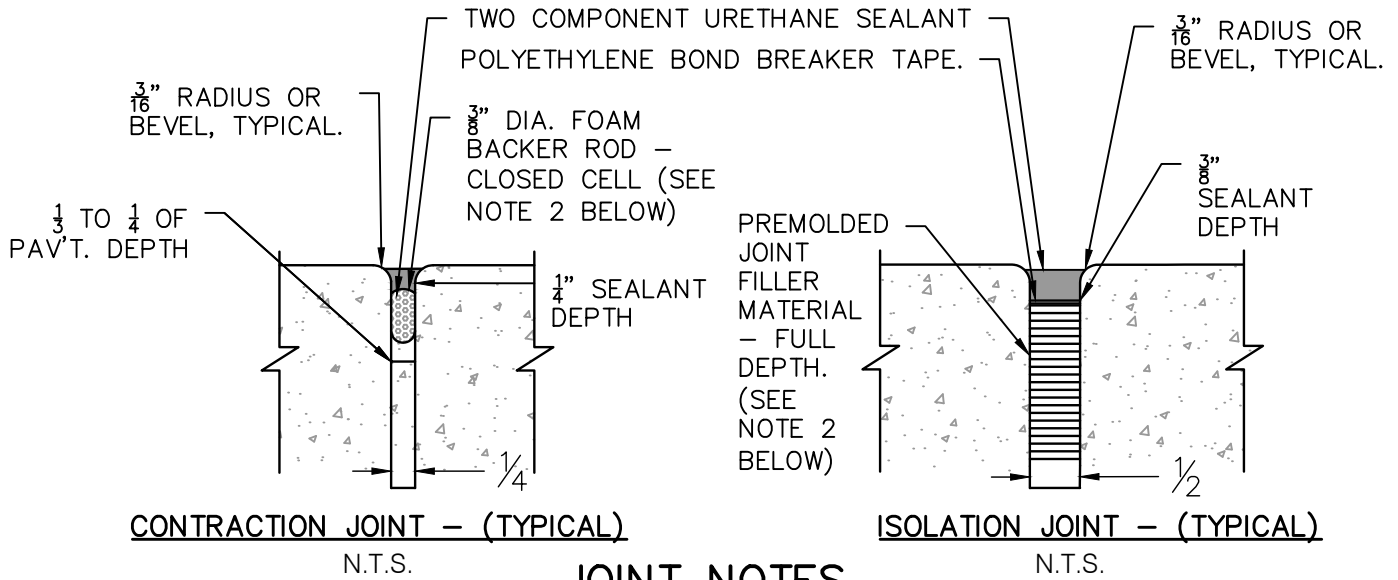


- NOTES:
1. PROVIDE TYPE 1 –CONVENTIONAL TRAFFIC PAINT (COLOR–WHITE) AND DISPENSE IN A WET FILM THICKNESS OF 15 MILS ± 1 MIL IN ACCORDANCE WITH PENNDOT PUBLICATION 408, SECTION 962, LATEST EDITION. PAINT SHALL BE PENNDOT APPROVED.
 2. NEATLY APPLY PAVEMENT PAINT MARKINGS AT LOCATIONS INDICATED WITH NO OVERSPRAY, USE TEMPLATES AS REQUIRED TO PROVIDE NEAT STRAIGHT LINES AND EDGES.

HANDICAP PARKING SIGNS – TYPICAL
N.T.S.

GENERAL NOTES:
1. ALL MATERIAL AND WORK TO BE IN ACCORDANCE WITH PENNDOT PUBLICATION 408, LATEST ED.

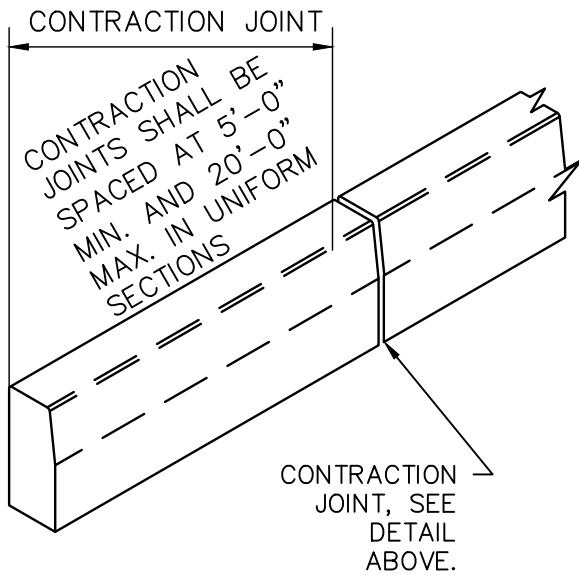
RESTORATION STANDARD		
MUNICIPAL ROADWAY		
HANDICAP PARKING SIGNS & PAINTING DETAIL		
LIGONIER BOROUGH WESTMORELAND COUNTY, PA	REV.: 0 DATE: JAN. 2019	STD. No. 7



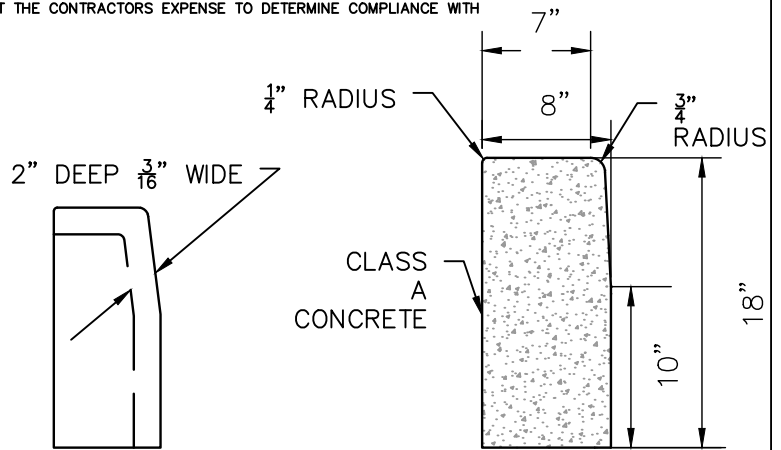
JOINT NOTES

N.T.S.

1. JOINTS SHALL BE TOOLED, NOT SAW CUT
2. JOINT FILLER MATERIAL (⊙ ALL ISOLATION JOINTS) SHALL BE CORK, SPONGE RUBBER OR FIBER IN ACCORDANCE W/ PENNDOT PUBLICATION 408. FOAM BACKER ROD (⊙ ALL CONTRACTION JOINTS) SHALL BE MANUFACTURED FOR USE IN PAVEMENT AND WALKWAY JOINTS BY THE JOINT SEALANT MANUFACTURER.
3. EADS ARCHITECTS, INC. RESERVES THE RIGHT TO DISSEMBLE ONE (1) ISOLATION AND ONE (1) CONTRACTION JOINT AT THE CONTRACTORS EXPENSE TO DETERMINE COMPLIANCE WITH CONTRACT REQUIREMENTS.



CONCRETE CURB
N.T.S.



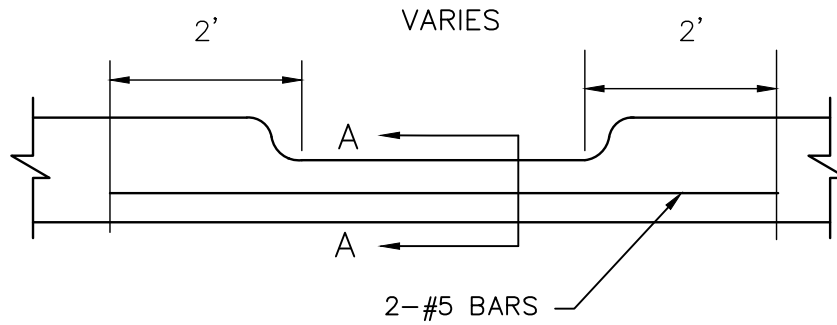
CONTRACTION JOINT
N.T.S.

TYPICAL CROSS SECTION
N.T.S.

GENERAL NOTES:

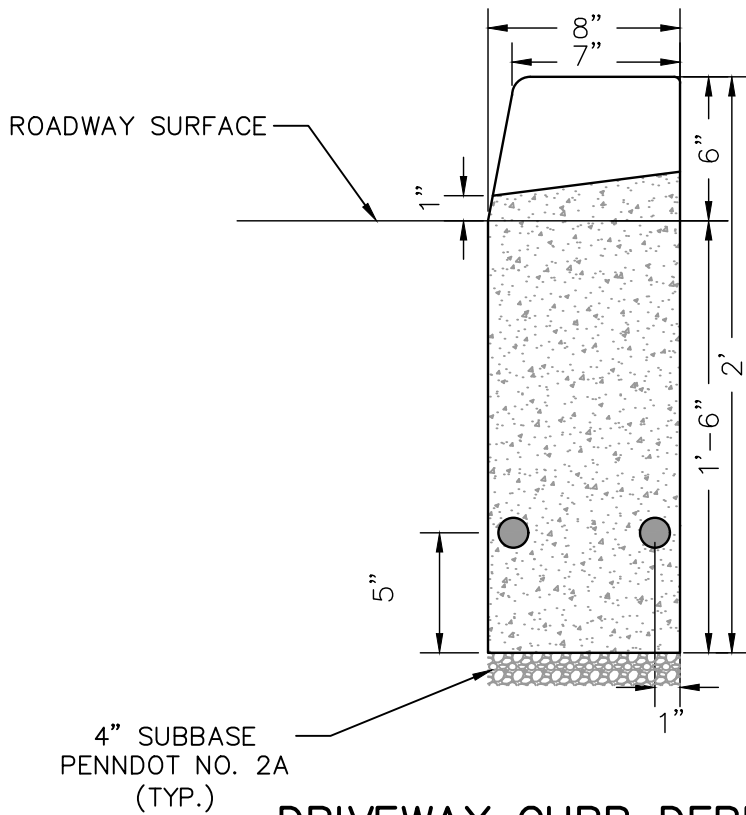
1. ALL MATERIAL AND WORK TO BE IN ACCORDANCE WITH PENNDOT PUBLICATION 408, LATEST ED.

RESTORATION STANDARD			
MUNICIPAL ROADWAY			
CONCRETE CURB			
LIGONIER BOROUGH	REV.:	0	STD. No. 8
WESTMORELAND COUNTY, PA	DATE:	JAN. 2019	



PLAN VIEW

N.T.S.



DRIVEWAY CURB DEPRESSION

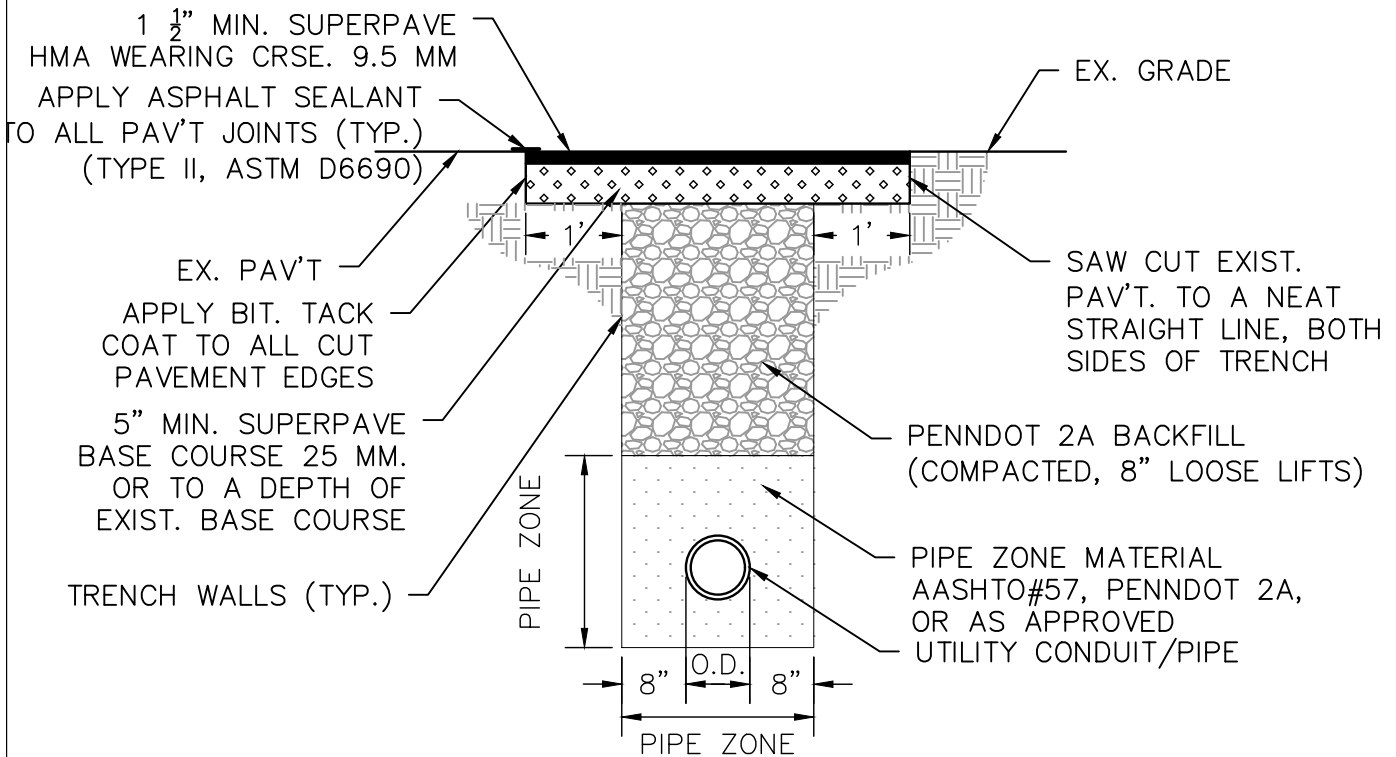
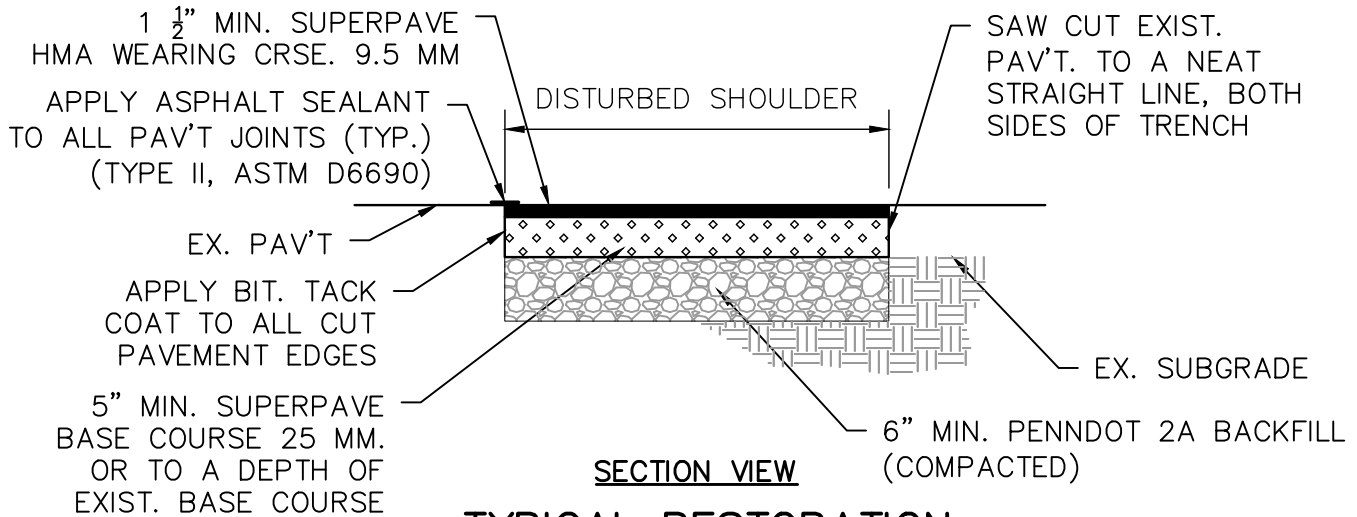
N.T.S.

RESTORATION STANDARD		
MUNICIPAL SHOULDER		
DRIVEWAY CURB DEPRESSION		
LIGONIER BOROUGH WESTMORELAND COUNTY, PA	REV.: 0 DATE: JAN. 2019	STD. No. 10

GENERAL

1. ALL CURB RAMPS INSTALLED IN BOROUGH RIGHT-OF-WAY SHALL BE CONSISTENT WITH CURRENT A.D.A. AND PENNDOT REGULATIONS.
2. FOLLOW PENNDOT RC 67 STANDARDS FOR DESIGN AND CONSTRUCTION OF ALL CURB RAMPS.
3. SUBMIT PENNDOT FORM CS-4401 FOR ALL PROPOSED CURB RAMPS PRIOR TO CONSTRUCTION FOR BOROUGH REVIEW.

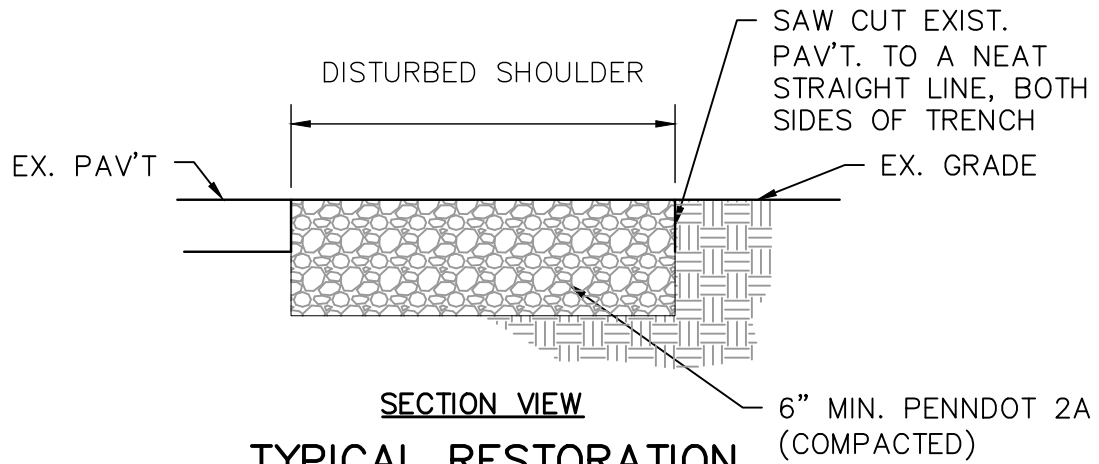
RESTORATION STANDARD			
MUNICIPAL SHOULDER			
DRIVEWAY CURB RAMP			
LIGONIER BOROUGH WESTMORELAND COUNTY, PA	REV.:	0	STD. No. 11
	DATE:	JAN. 2019	



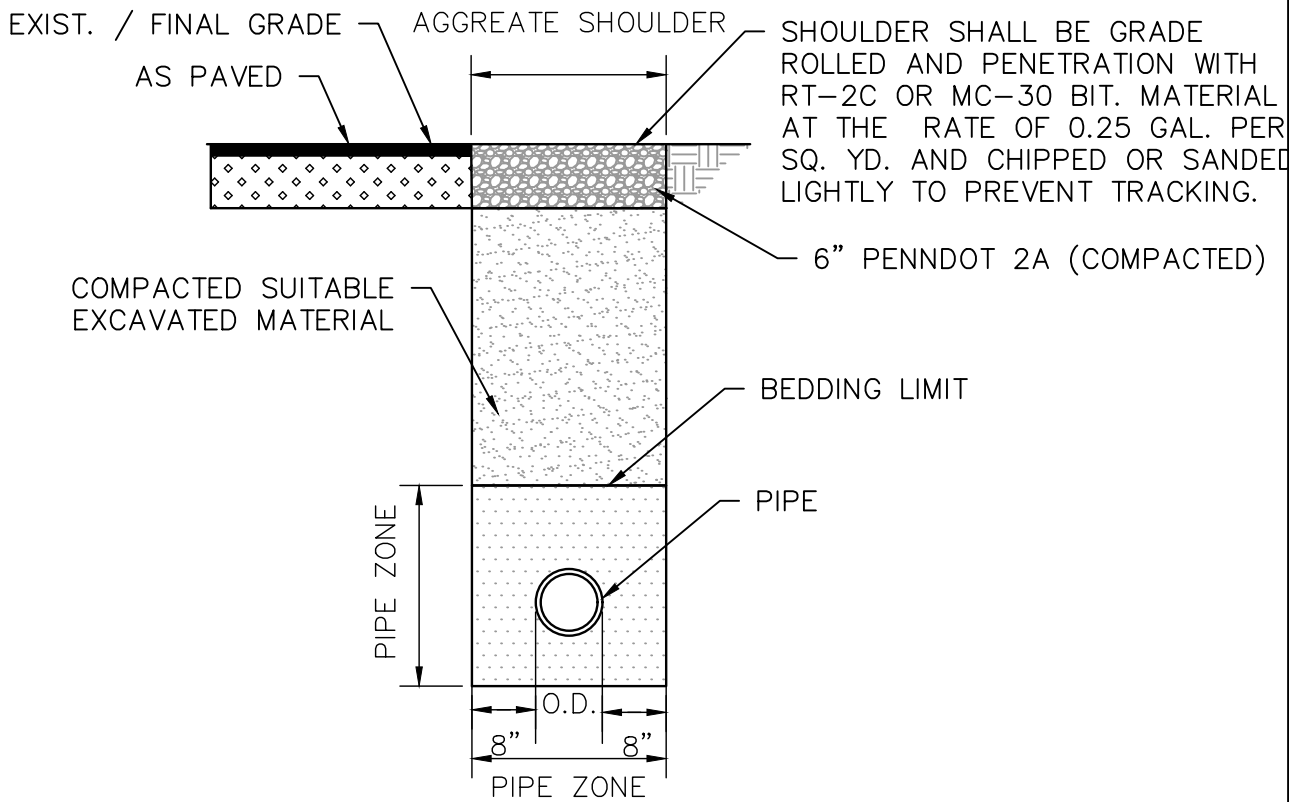
GENERAL NOTES:

1. ALL MATERIAL AND WORK TO BE IN ACCORDANCE WITH PENNDOT PUBLICATION 408, LATEST ED.

RESTORATION STANDARD		
MUNICIPAL SHOULDER		
BITUMINOUS PAVEMENT AGGREGATE BASE – FULL DEPTH		
LIGONIER BOROUGH WESTMORELAND COUNTY, PA	REV.: 0 DATE: JAN. 2019	STD. No. 12

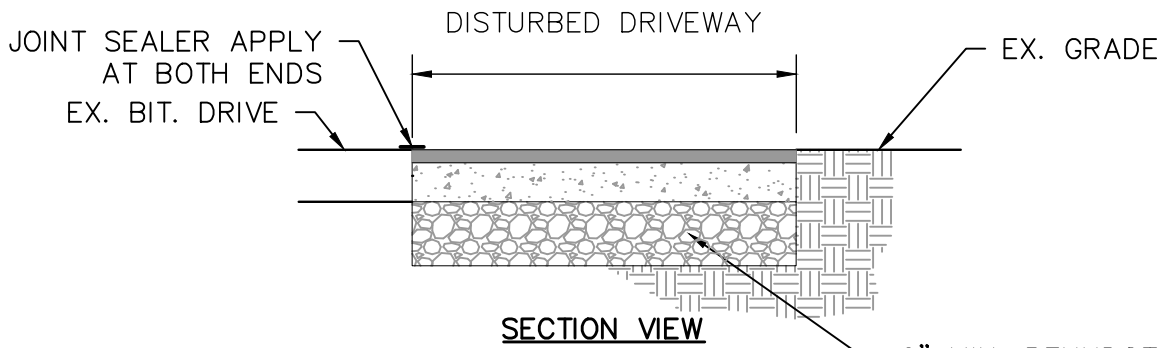


SECTION VIEW
TYPICAL RESTORATION
 N.T.S.



SECTION
TYPICAL TRENCH EXCAVATION
 N.T.S.

RESTORATION STANDARD		
MUNICIPAL SHOULDER		
STABILIZED AGGREGATE - FULL DEPTH		
LIGONIER BOROUGH WESTMORELAND COUNTY, PA	REV.: 0 DATE: JAN. 2019	STD. No. 13

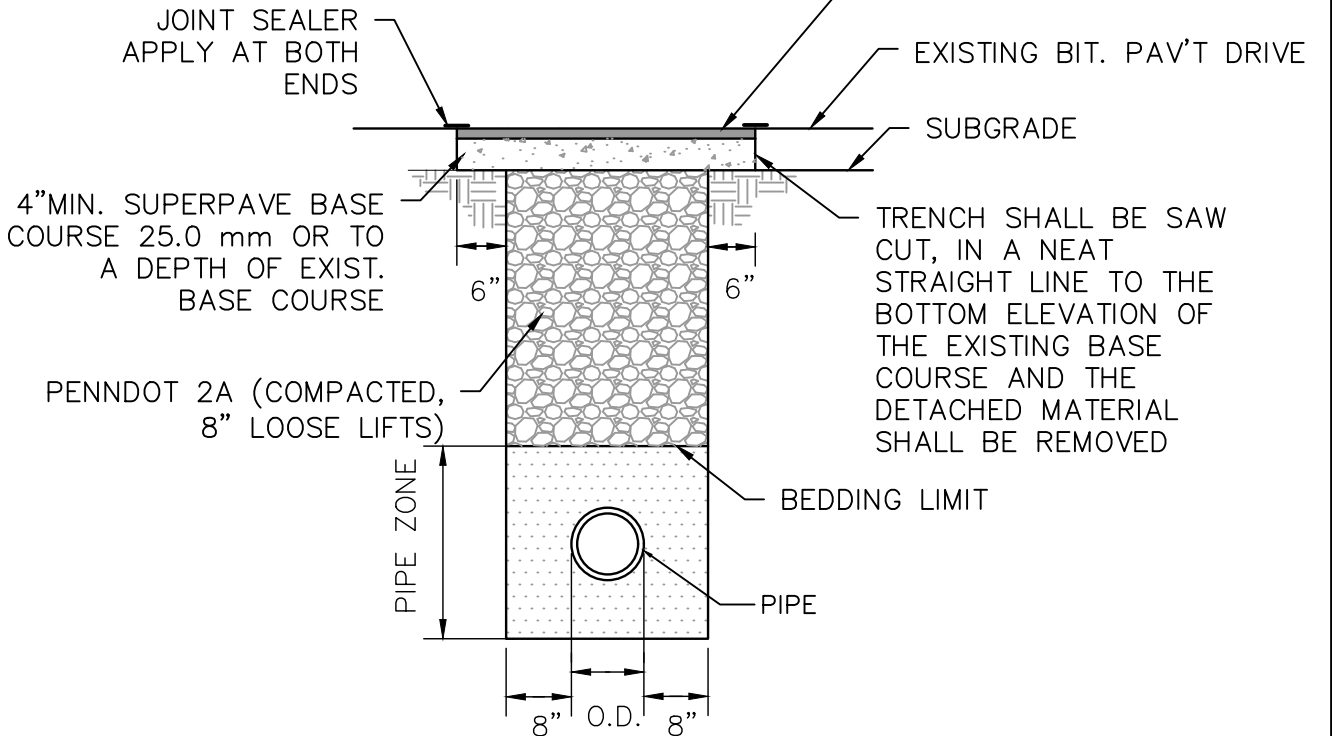


TYPICAL RESTORATION

N.T.S.

6" MIN. PENNDOT 2A (COMPACTED)

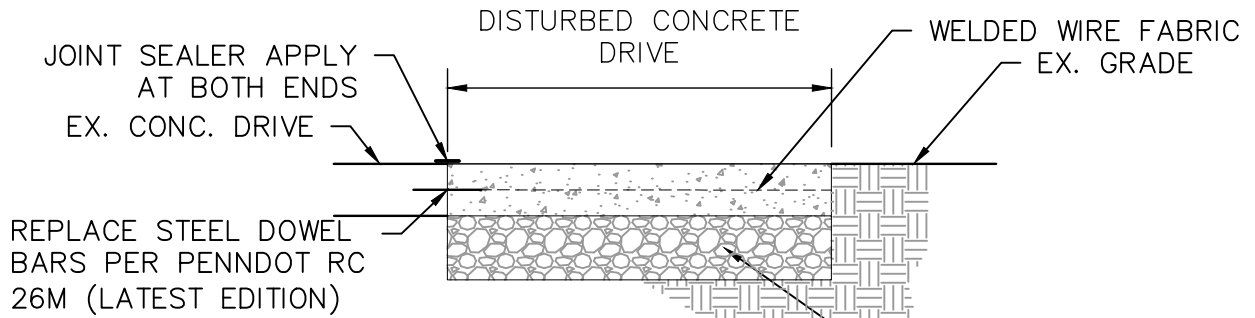
1 1/2" MIN. SUPERPAVE, HMA WEARING COURSE, 9.5 mm



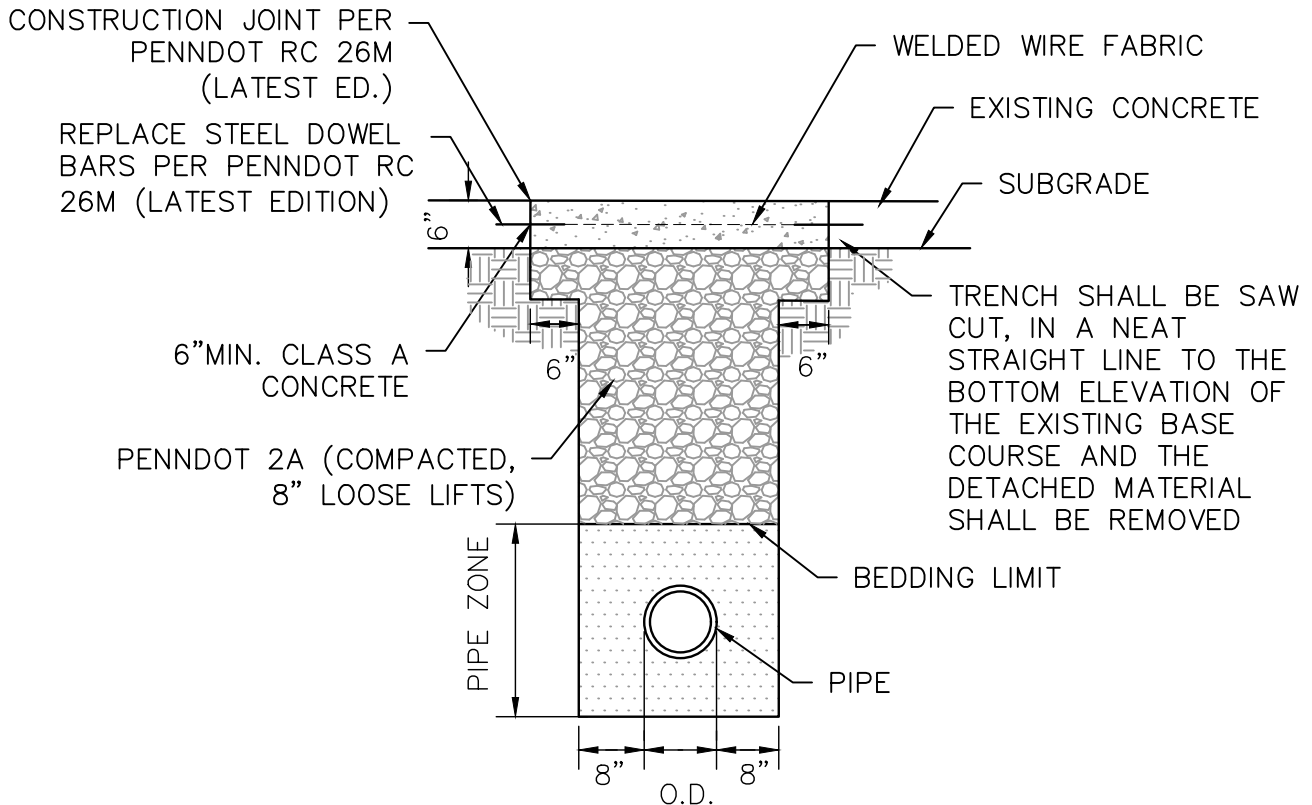
TYPICAL TRENCH EXCAVATION

N.T.S.

RESTORATION STANDARD		
MUNICIPAL EASEMENT		
BITUMINOUS DRIVEWAY		
LIGONIER BOROUGH WESTMORELAND COUNTY, PA	REV.: 0 DATE: JAN. 2019	STD. No. 14

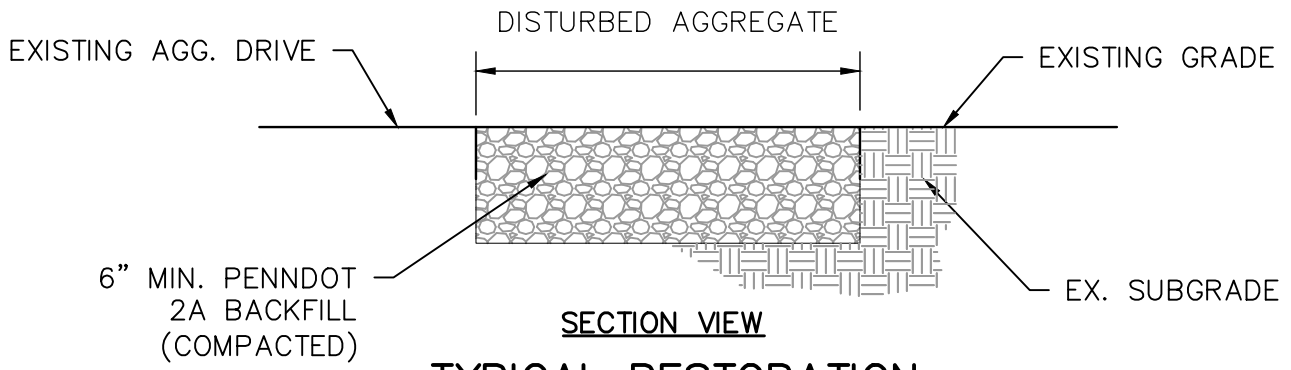


SECTION VIEW
TYPICAL RESTORATION
 N.T.S. 6" MIN. PENNDOT 2A (COMPACTED)

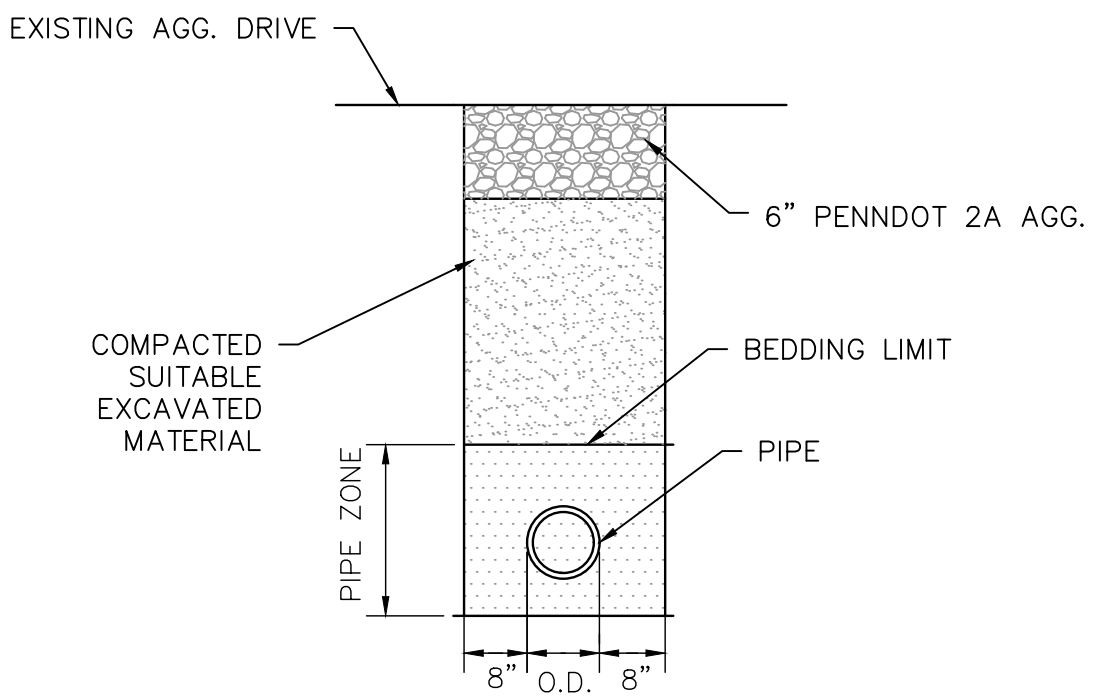


TYPICAL TRENCH EXCAVATION
 N.T.S.

RESTORATION STANDARD			
MUNICIPAL EASEMENT			
CONCRETE DRIVEWAY			
LIGONIER BOROUGH WESTMORELAND COUNTY, PA		REV.: 0 DATE: JAN. 2019	STD. No. 15

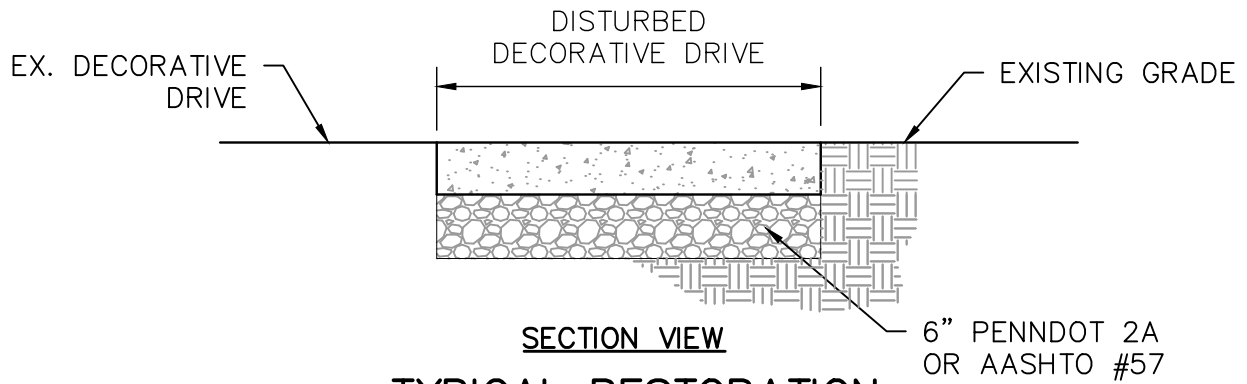


SECTION VIEW
TYPICAL RESTORATION
 N.T.S.

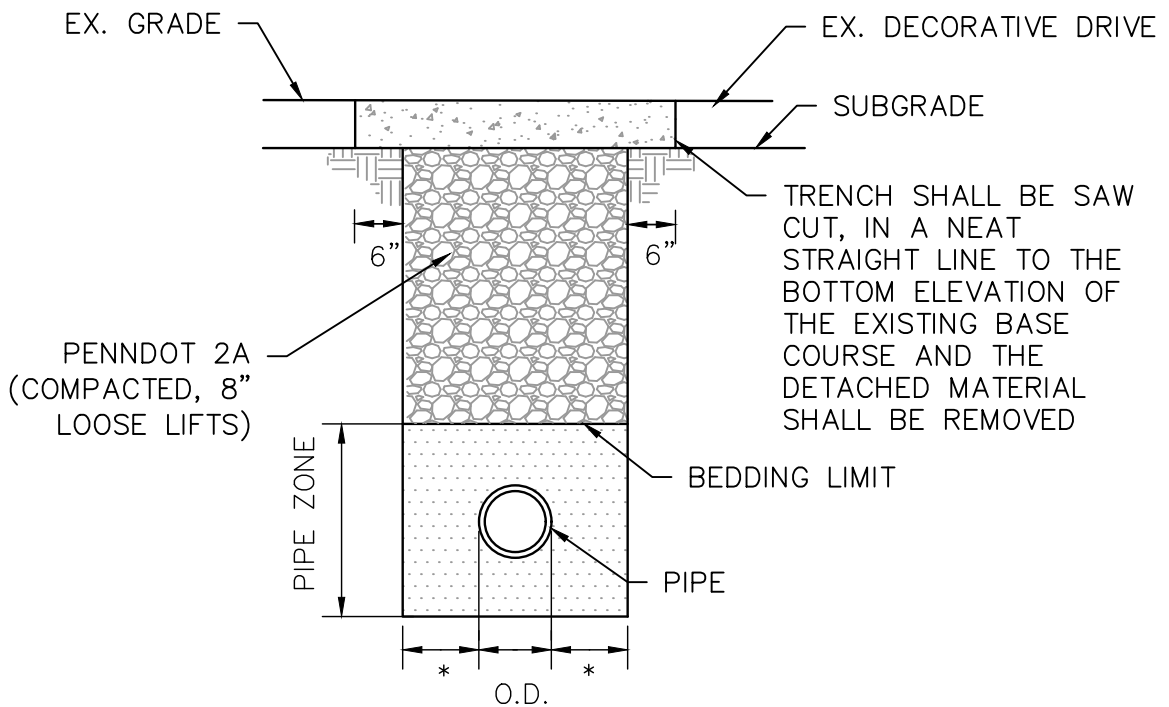


TYPICAL TRENCH EXCAVATION
 N.T.S.

RESTORATION STANDARD		
MUNICIPAL EASEMENT		
AGGREGATE DRIVEWAY		
LIGONIER BOROUGH WESTMORELAND COUNTY, PA	REV.: 0 DATE: JAN. 2019	STD. No. 16



TYPICAL RESTORATION
N.T.S.

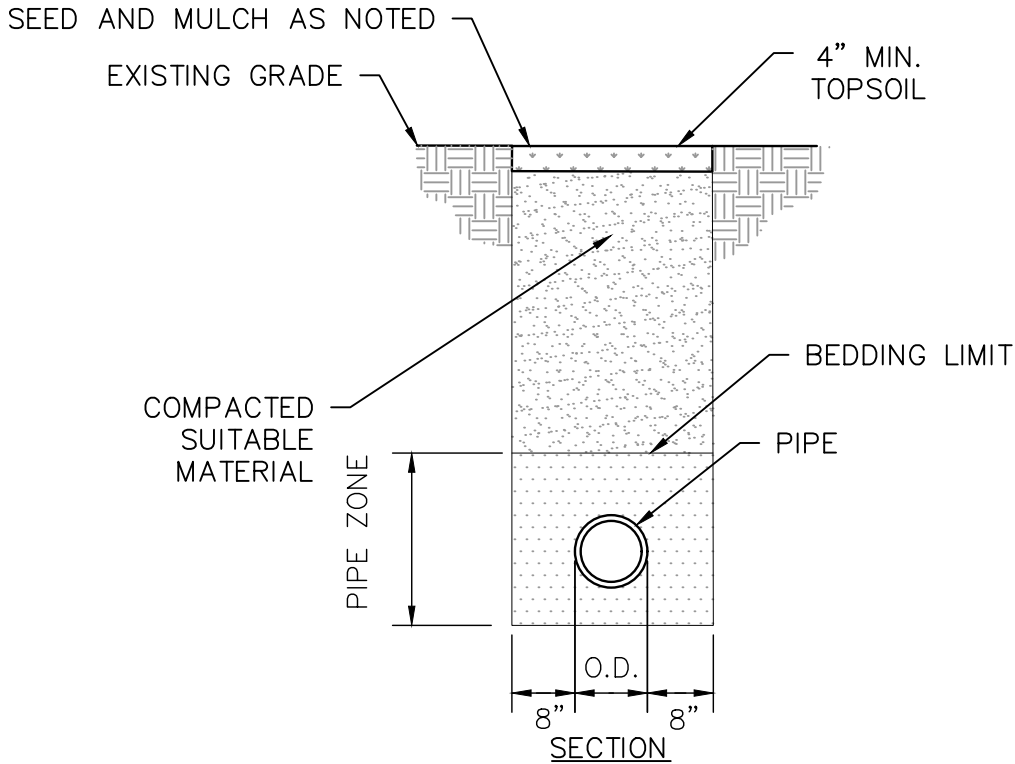
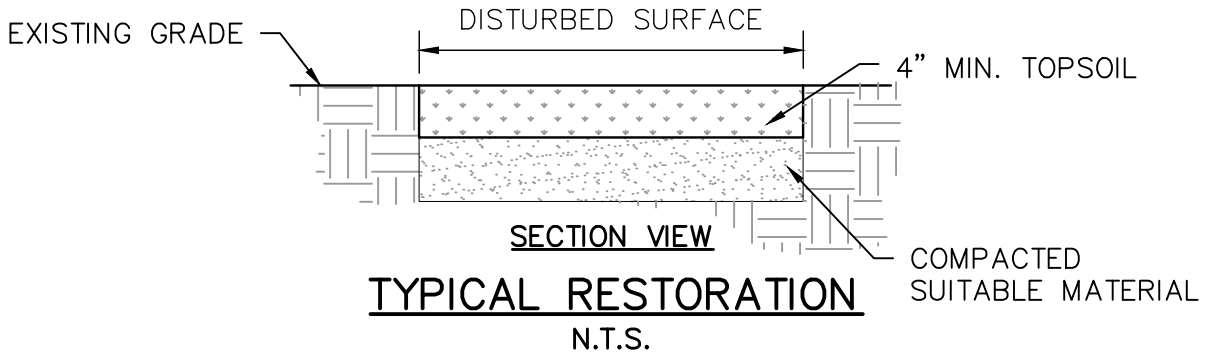


TYPICAL TRENCH EXCAVATION
N.T.S.

NOTES:

1. MATCH EX. DRIVE MATERIAL, PATTERN, THICKNESS AND SUBGRADE PREPARATION. OBTAIN PRIVATE PROPERTY OWNER AUTHORIZATION FOR ALL MATERIALS PRIOR TO INSTALLATION.
2. OBTAIN PRIVATE PROPERTY OWNER APPROVAL AFTER INSTALLATION AND PROVIDE TO BOROUGH.

RESTORATION STANDARD			
MUNICIPAL EASEMENT			
DECORATIVE DRIVEWAY			
LIGONIER BOROUGH WESTMORELAND COUNTY, PA		REV.: 0 DATE: JAN. 2019	STD. No. 17



GENERAL NOTES:

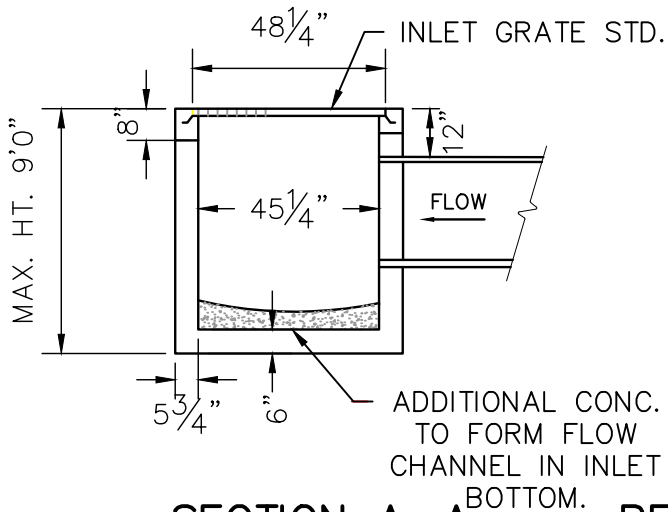
1. UNPAVED RESTORATION SHALL BE USED WHEN EDGE OF TRENCH IS 4' OR MORE BEYOND EDGE OF ROAD.
2. RESTORATION OF LANDSCAPING AND SHADE TREES SHALL BE IN ACCORDANCE WITH BOROUGH ORDINANCE NOS. 473 AND 545. DEMOLITION OR REMOVAL OF LANDSCAPING AND SHADE TREES SHALL NOT BE COMPLETED UNLESS WRITTEN APPROVAL IS PROVIDED BY BOROUGH. A RESTORATION PLAN OR LANDSCAPING PLAN CONSISTENT WITH ORDINANCE NOS. 473 AND 545 SHALL BE DEVELOPED FOR ALL PLANNED DISTURBANCE OR IMPROVEMENT ACTIVITIES AS MAY BE REQUIRED BY ORDINANCE.

N.T.S.

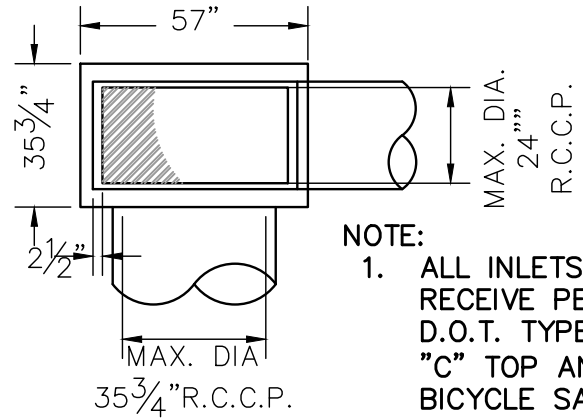
SEEDING MULCHING AND FERTILIZATION RESTORATION

1. SEEDING PENNDOT FORMULA B - 42 LBS PER 1000 SY.
2. MULCH WITHIN 48 HOURS - 6000 LBS PER ACRE.
3. LIME - 2800 LBS PER 1000 SY.
4. FERTILIZATION 10-10-20, - 210 LBS PER 1000 SY..

RESTORATION STANDARD			
MUNICIPAL EASEMENT			
UNPAVED AREA RESTORATION			
LIGONIER BOROUGH WESTMORELAND COUNTY, PA	REV.:	0	STD. No.
	DATE:	JAN. 2019	18

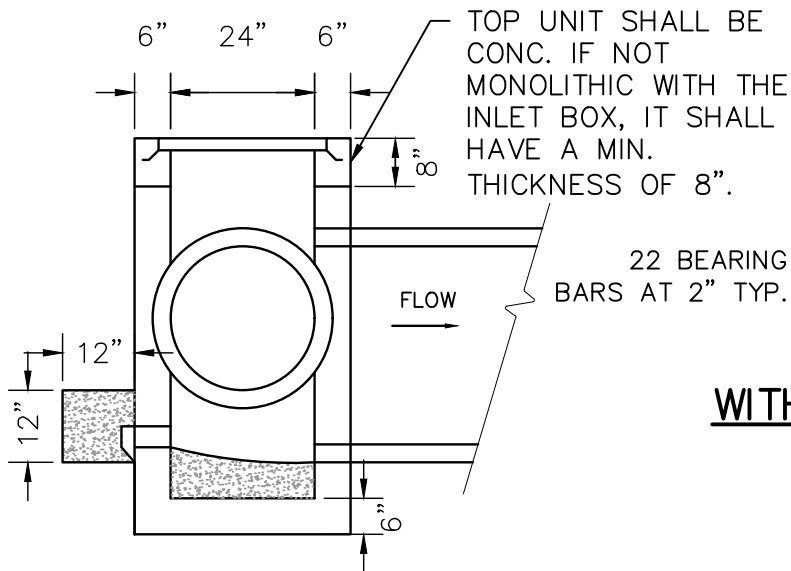


SECTION A-A
N.T.S.



PENNDOT STANDARD INLET BOX
N.T.S.

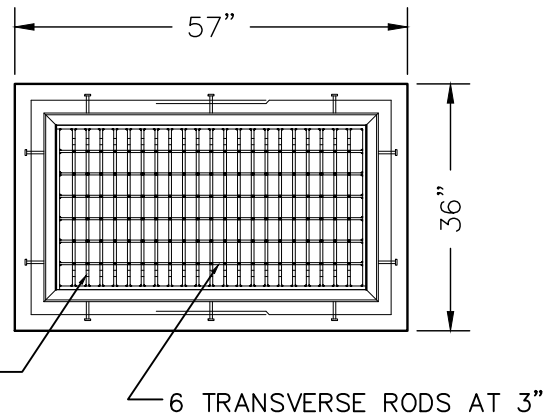
NOTE:
1. ALL INLETS TO RECEIVE PENN D.O.T. TYPE "C" TOP AND BICYCLE SAFE GRATE



SECTION B-B
N.T.S.

TOP UNIT SHALL BE CONC. IF NOT MONOLITHIC WITH THE INLET BOX, IT SHALL HAVE A MIN. THICKNESS OF 8".

22 BEARING BARS AT 2" TYP.



TYPE M INLET WITH BICYCLE SAFE GRATE
N.T.S.

NOTE:
1. ALL STORM WATER INFRASTRUCTURE SHALL BE IN ACCORDANCE WITH PENNDOT PUB 408, LATEST ED.

RESTORATION STANDARD		
MUNICIPAL EASEMENT		
STORMWATER FACILITIES & INFRASTRUCTURE		
LIGONIER BOROUGH WESTMORELAND COUNTY, PA	REV.: 0 DATE: JAN. 2019	STD. No. 19